

Hubs with eccentric cam

SPECIFICATION

Sintered Steel

- case hardened, EHT 0.2 to 0.4 mm
- blank

INFORMATION

Hubs with eccentric cam GN 919 are used for adjusting and clamping operations. As a rule these are fitted with a gear lever handle GN 310 (see page 566).

The cam offers the advantage that the clamping force remains constant in every position of its travel. In addition the cam is self locking.

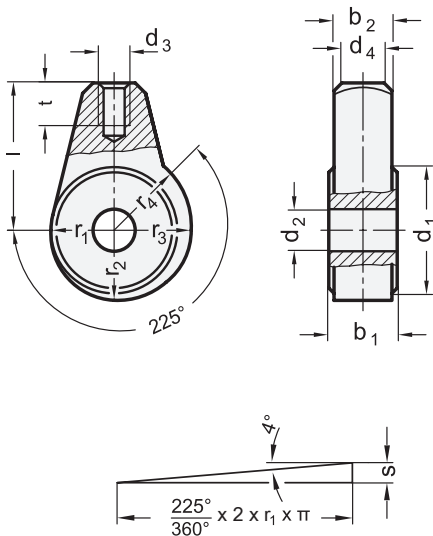
Cylinder head shoulder bolts GN 732 (see page 919) can be used as bearing pins.

ACCESSORY

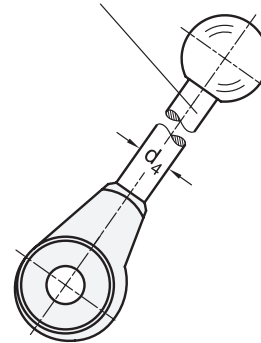
- Gear lever handles GN 310 (are to be ordered separately) (see page 566)

TECHNICAL INFORMATION

- ISO-Fundamental Tolerances (see page A21)



Gear lever handle GN 310



GN 919

Description	d1	d2 H9	b1 -0.05/-0.15	b2	d3	d4	l	r1	r2	r3	r4	s	t min.	⚖
GN 919-24-B8	24	B 8	13	11	M 6	8	28	12	13.32	14.64	15.3	3.3	9	59
GN 919-30-B10	30	B 10	15	13	M 8	10	32	15	16.65	18.3	19.12	4.1	12	100
GN 919-35-B12	35	B 12	17	15	M 10	12	36	17.5	19.42	21.34	22.31	4.8	15	150